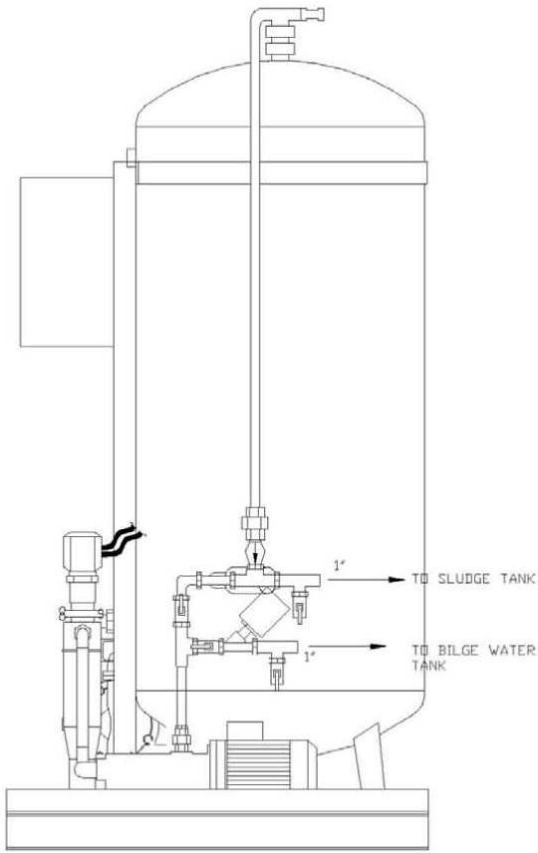
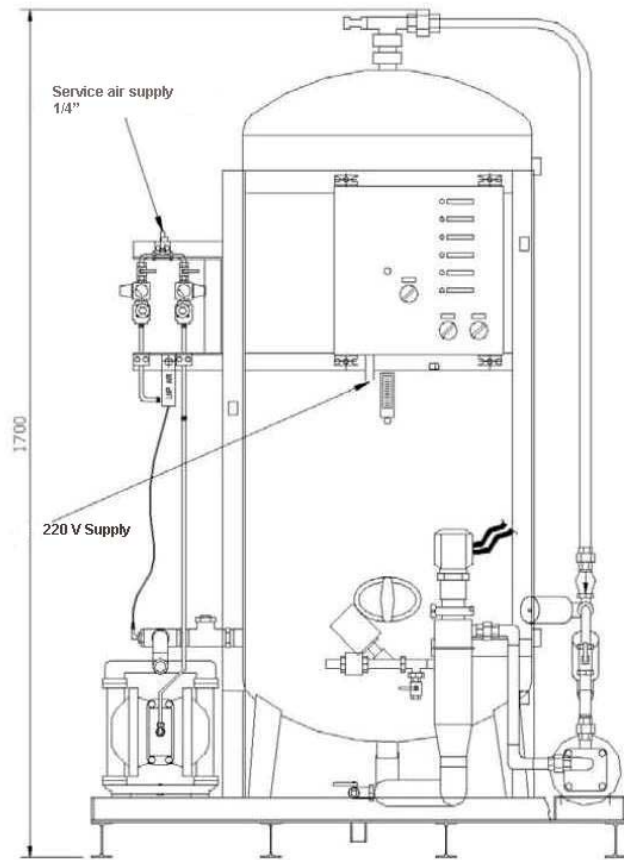


Sludge Dewatering Unit – SDwU 300 (0.3) and SDwU 500 (0.5)

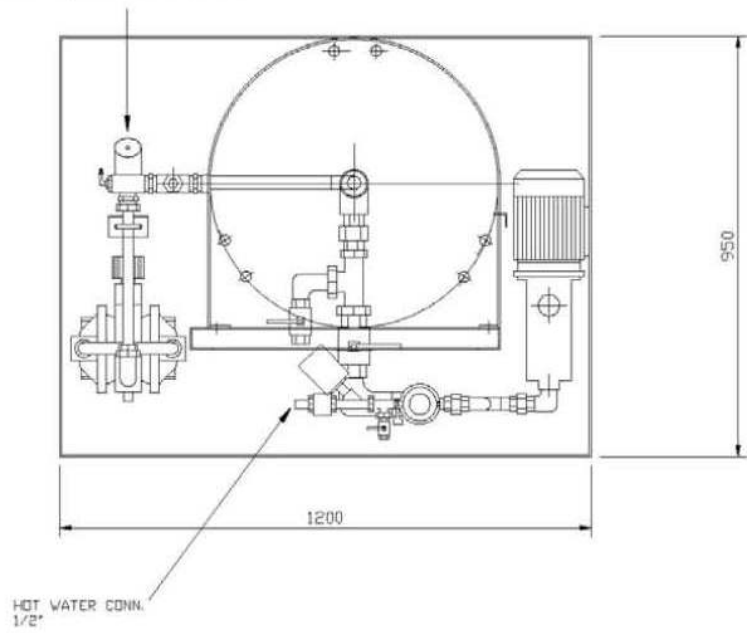


SDwU-300



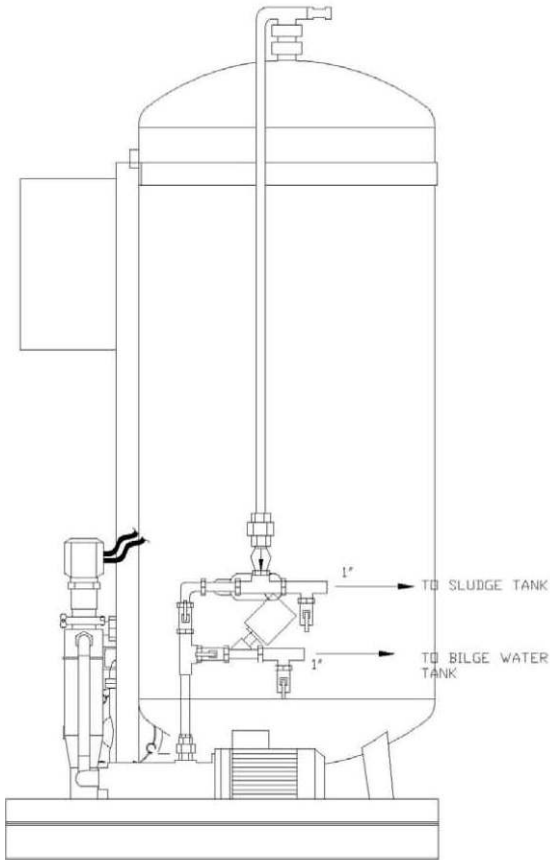
SDwU-300

SUCTION FROM SLUDGE TANK: 1/2"

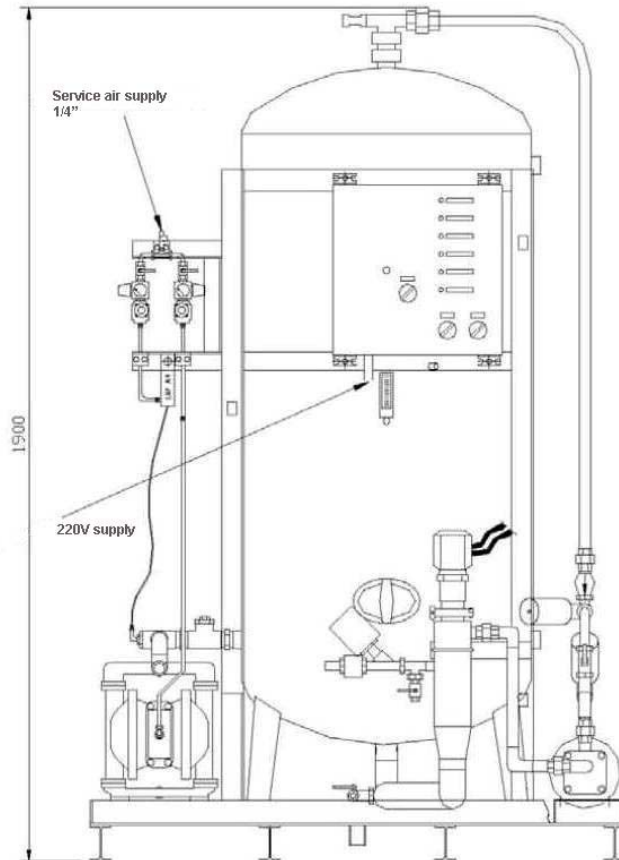


SDwU-300

Sludge Dewatering Unit – SDwU 300 (0.3) and SDwU 500 (0.5)

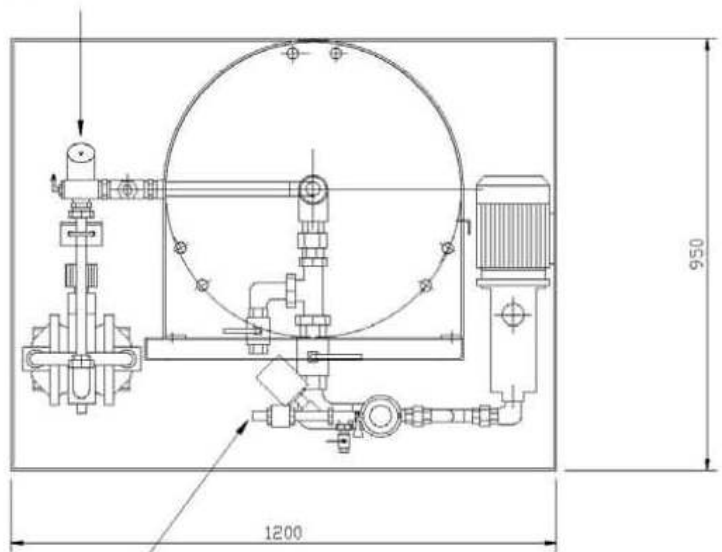


SDwU-500



SDwU-500

SUCTION FROM SLUDGE TANK 1"



SDwU-500